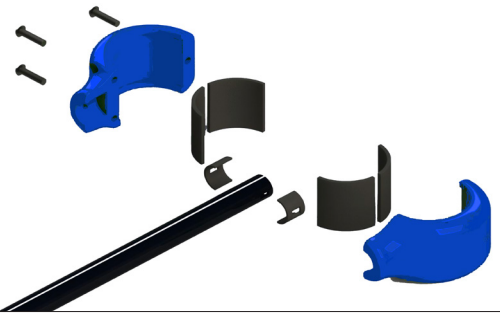
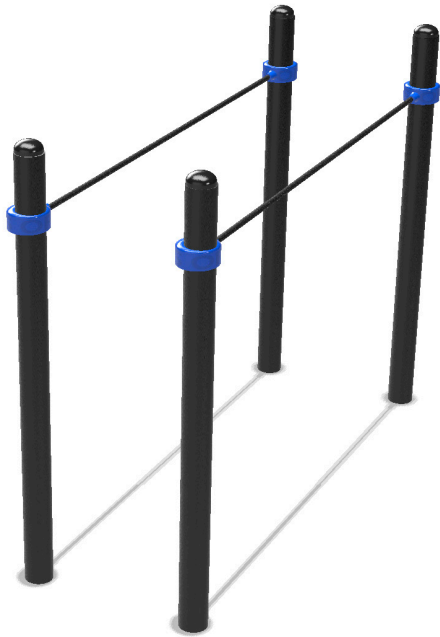
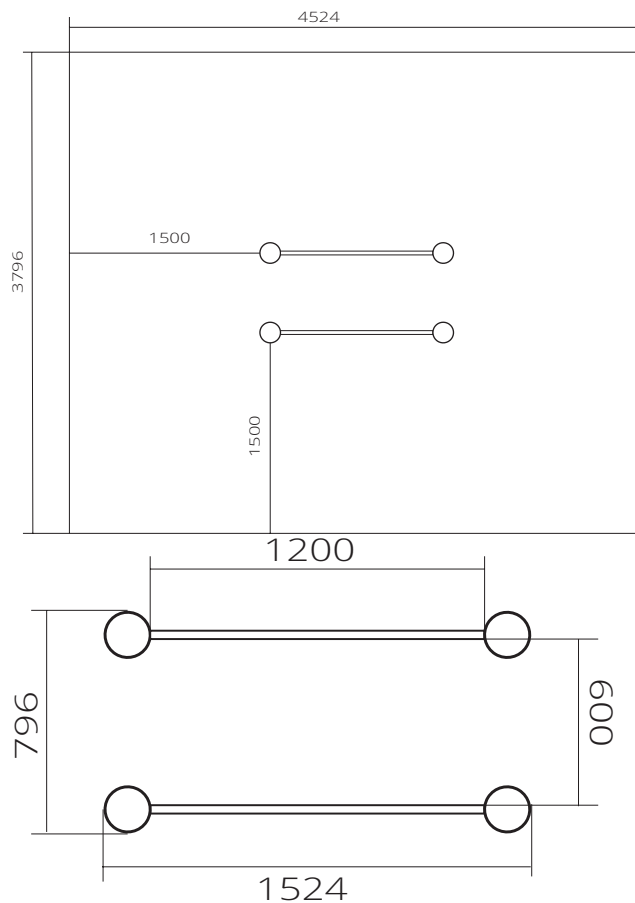




Standard parallel bars



Type	SWO130009
Dimensions	1524 x 796 x 1654 mm
Space	4524 x 3796 mm
Safety zone	

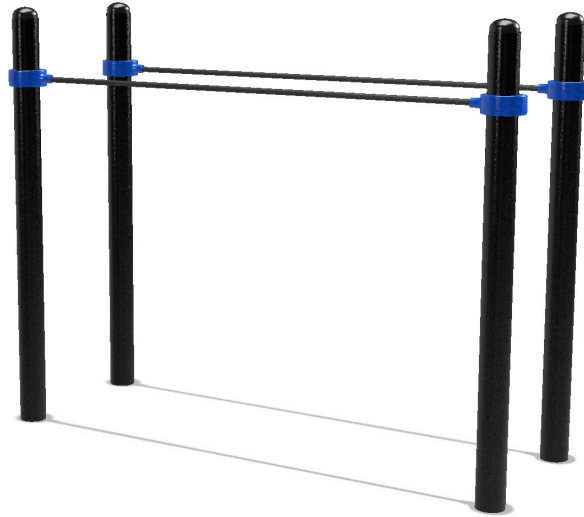


Foundation

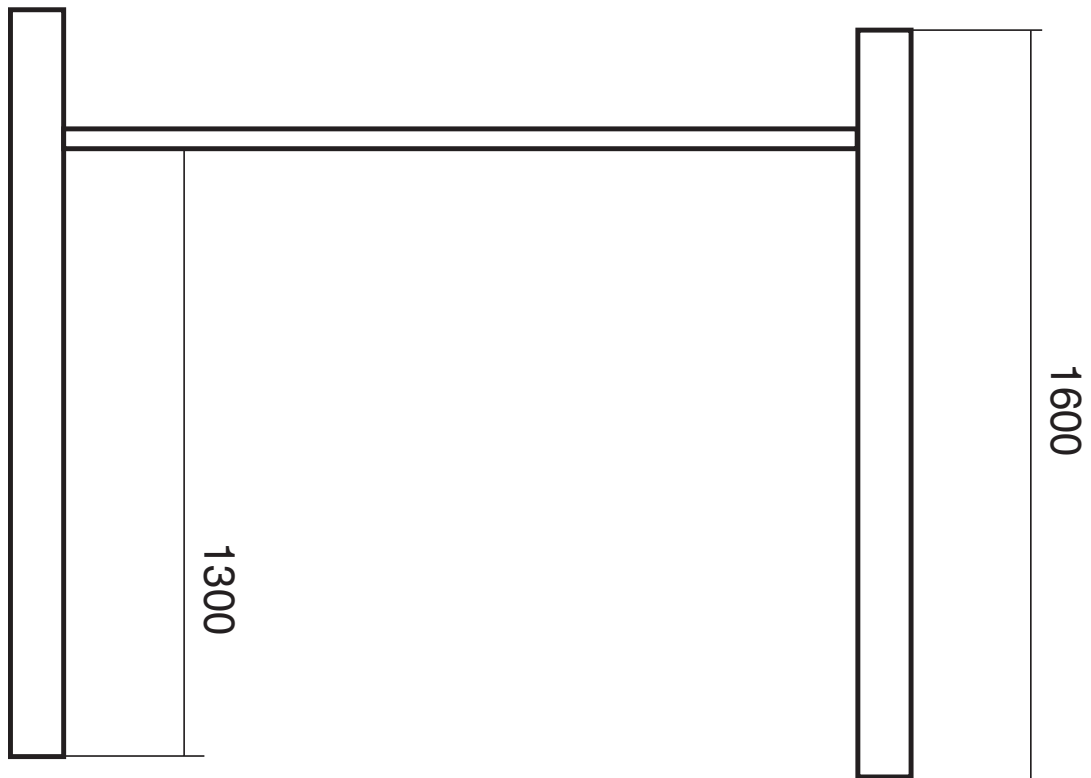


Standard parallel bars

Type SWO130009



Height of the exercises



Max. fall height = 1300 mm

Clamps	Floor plates
4	Small floor plates 1m x 1m 2
	Big floor plates 1m x 1,5m -